

E-Crane™ Capacity Charts
3000 Series
Model 30382

CONTENTS

DUTY CYCLE OPERATION	3
Load Chart (USton/ft)	3
DUTY CYCLE OPERATION	5
Load Chart (Mton/m)	5
LIFT CRANE OPERATION	7
Load Chart (USton/ft)	7
LIFT CRANE OPERATION	9
Load Chart (Mton/m)	9
SPECIFICATIONS	11

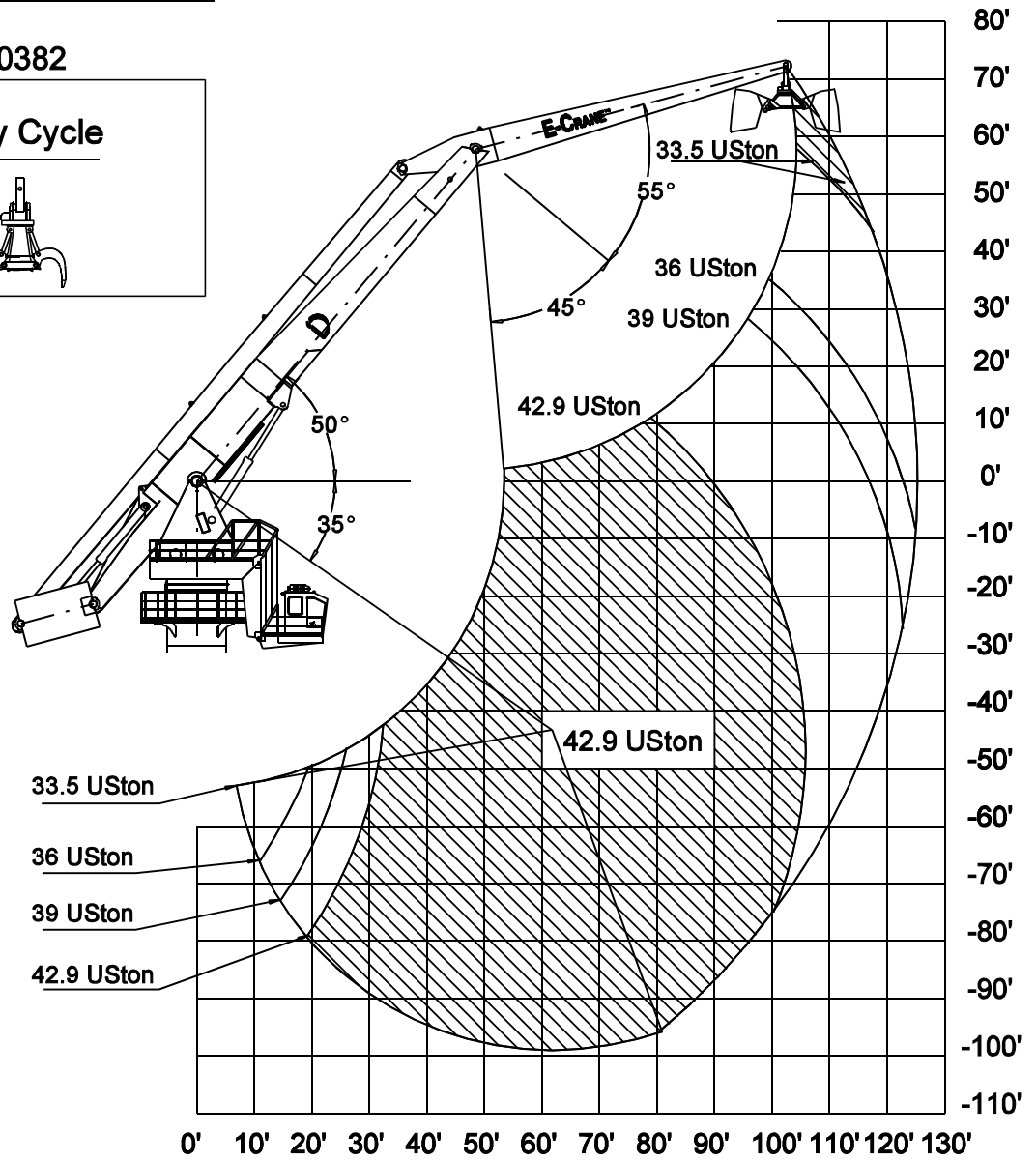
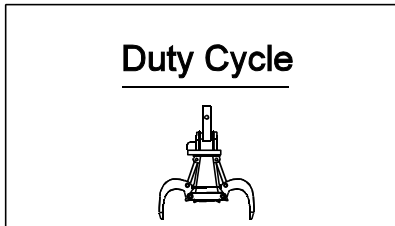


DUTY CYCLE OPERATION

Load Chart (USton/ft)

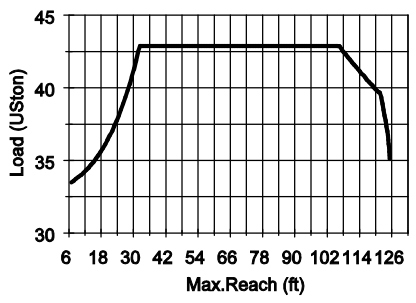
Capacity Chart E-Crane™

Model No. 30382



docnr.:AL12000-018

HEIGHT Relative to BOOM-PIN (ft)	CAPACITY (USton) / Duty Cycle Operation E-Crane 30382																											
	REACH (ft)																											
	11	17	23	29	35	41	47	53	59	65	71	77	83	89	95	101	107	113	119	125								
66																	23.10											
60																	33.00											
54																	33.01	33.00										
48																	33.25	33.01										
42																	33.87	33.25										
36																	35.59	34.70	33.74	33.13								
30																	37.04	35.59	34.51	33.51								
24																	39.83	38.91	37.04	35.35	34.16							
18																	40.98	40.30	39.83	38.50	36.72	34.90						
12																	42.30	41.61	40.98	40.30	39.72	37.73	35.85					
6																	42.90	42.90	42.90	42.30	41.61	40.84	40.18	39.35	36.72	34.70		
0																	42.90	42.90	42.90	42.90	42.30	41.29	40.56	39.83	37.73	35.35		
-6																	42.90	42.90	42.90	42.90	42.90	42.88	41.94	40.98	40.18	38.91	35.85	
-12																	42.90	42.90	42.90	42.90	42.90	42.90	42.90	42.49	41.44	40.43	39.68	
-18																	42.90	42.90	42.90	42.90	42.90	42.90	42.90	42.88	41.77	40.84	39.83	
-24																	42.90	42.90	42.90	42.90	42.90	42.90	42.90	42.90	42.12	40.98	40.06	
-30																	42.90	42.90	42.90	42.90	42.90	42.90	42.90	42.90	42.49	41.29	40.06	
-36																	42.90	42.90	42.90	42.90	42.90	42.90	42.90	42.90	42.68	41.29	40.18	
-42																	42.90	42.90	42.90	42.90	42.90	42.90	42.90	42.90	42.68	41.44		
-48																	40.79	42.90	42.90	42.90	42.90	42.90	42.90	42.90	42.90	42.88	41.29	
-54	34.33	35.85	38.50	41.88	42.90	42.90	42.90	42.90	42.90	42.90	42.90	42.90	42.90	42.90	42.90	42.90	42.90	42.90	42.90	42.90	42.90	42.90	42.90	42.68	41.13			
-60	35.12	37.04	39.35	42.90	42.90	42.90	42.90	42.90	42.90	42.90	42.90	42.90	42.90	42.90	42.90	42.90	42.90	42.90	42.90	42.90	42.90	42.90	42.90	42.49				
-66	36.12	38.11	40.79	42.90	42.90	42.90	42.90	42.90	42.90	42.90	42.90	42.90	42.90	42.90	42.90	42.90	42.90	42.90	42.90	42.90	42.90	42.90	42.90					
-72		39.81	42.90	42.90	42.90	42.90	42.90	42.90	42.90	42.90	42.90	42.90	42.90	42.90	42.90	42.90	42.90	42.90	42.90	42.90	42.90	42.90	42.90					
-78			42.90	42.90	42.90	42.90	42.90	42.90	42.90	42.90	42.90	42.90	42.90	42.90	42.90	42.90	42.90	42.90	42.90	42.90	42.90	42.90	42.90					
-84				42.90	42.90	42.90	42.90	42.90	42.90	42.90	42.90	42.90	42.90	42.90	42.90	42.90	42.90	42.90	42.90	42.90	42.90	42.90	42.90					
-90					42.90	42.90	42.90	42.90	42.90	42.90	42.90	42.90	42.90	42.90	42.90	42.90	42.90	42.90	42.90	42.90	42.90	42.90	42.90					
-96						42.90	42.90	42.90	42.90	42.90	42.90	42.90	42.90	42.90	42.90	42.90	42.90	42.90	42.90	42.90	42.90	42.90	42.90					

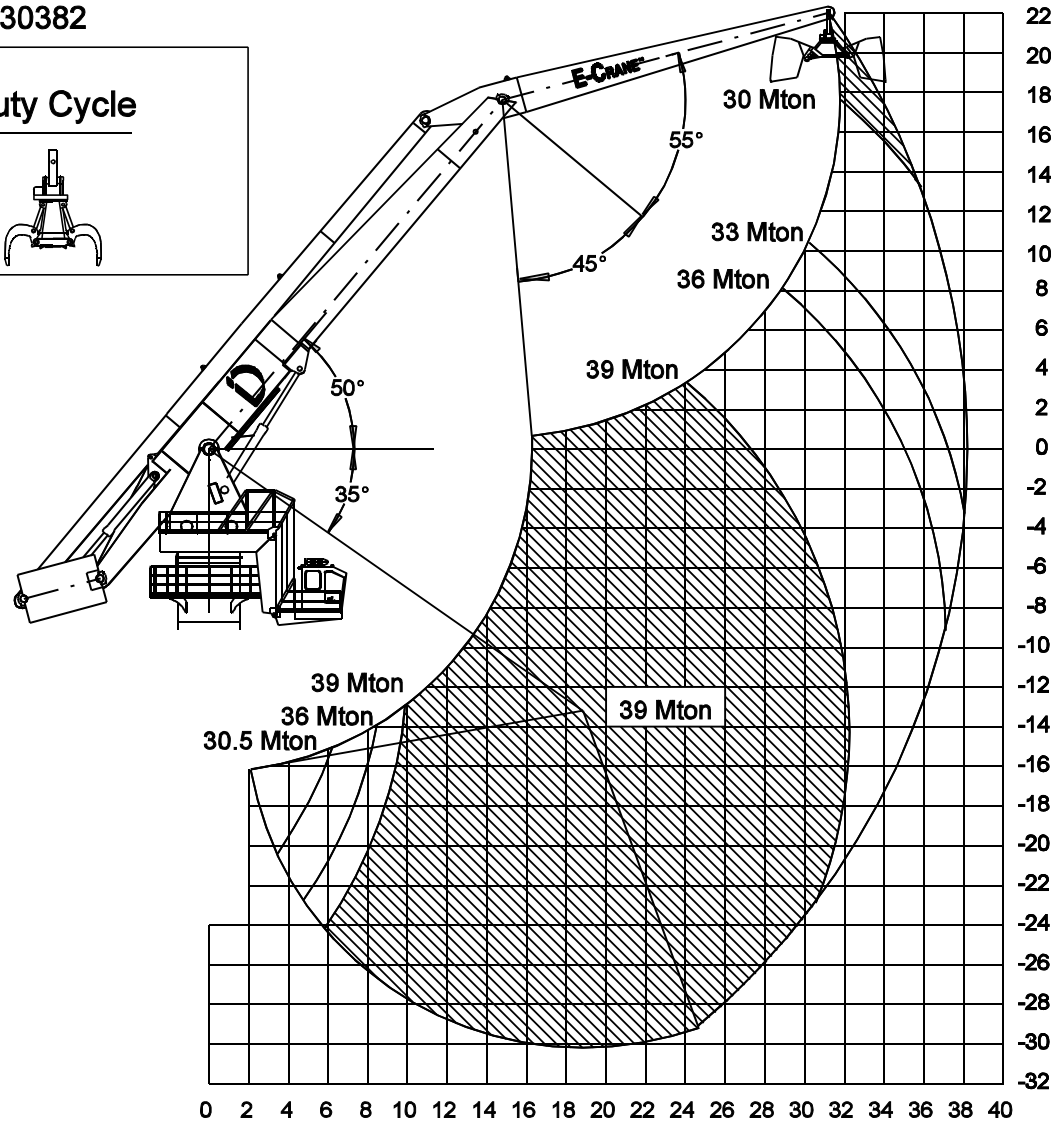
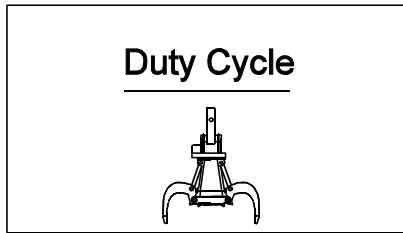


DUTY CYCLE OPERATION

Load Chart (Mton/m)

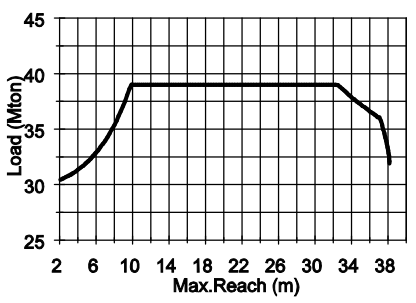
Capacity Chart E-Crane™

Model No. 30382



docnr.:AL12000-014

HEIGHT Relative to BOOM- PIN (m)	CAPACITY (Mton) / Duty Cycle Operation																										
	E-Crane 30382																										
	REACH (m)																										
	3.5	5	6.5	8	9.5	11	12.5	14	15.5	17	18.5	20	21.5	23	24.5	26	27.5	29	30.5	32	33.5	35	36.5	38			
20																				30.00							
18																				30.00	30.00						
16																				30.11	30.00						
14																				30.56	30.17	30.00					
12																				31.21	30.67	30.23					
10																				33.10	32.36	31.54	30.79	30.23			
8																				36.07	35.00	33.67	32.59	31.54	30.67		
6																				36.87	36.53	36.11	35.38	33.67	32.59	31.37	
4																				38.13	37.53	37.13	36.64	36.21	35.38	33.67	32.13
2																				39.00	39.00	39.00	39.00	39.00	39.00	39.00	31.54
0																				39.00	39.00	39.00	39.00	39.00	39.00	39.00	32.13
-2																				39.00	39.00	39.00	39.00	39.00	39.00	39.00	32.84
-4																				39.00	39.00	39.00	39.00	39.00	39.00	39.00	36.07
-6																				39.00	39.00	39.00	39.00	39.00	39.00	39.00	36.21
-8																				39.00	39.00	39.00	39.00	39.00	39.00	39.00	36.31
-10																				39.00	39.00	39.00	39.00	39.00	39.00	39.00	36.31
-12																				39.00	39.00	39.00	39.00	39.00	39.00	39.00	37.26
-14																				39.00	39.00	39.00	39.00	39.00	39.00	39.00	37.26
-16																				31.06	32.13	33.98	36.19	38.60	39.00	39.00	38.13
-18																				31.93	33.10	35.00	37.56	39.00	39.00	39.00	37.82
-20																				32.84	34.30	36.19	39.00	39.00	39.00	39.00	38.80
-22																				35.77	38.07	39.00	39.00	39.00	39.00	39.00	39.00
-24																				39.00	39.00	39.00	39.00	39.00	39.00	39.00	39.00
-26																				39.00	39.00	39.00	39.00	39.00	39.00	39.00	39.00
-28																				39.00	39.00	39.00	39.00	39.00	39.00	39.00	39.00
-30																				39.00	39.00	39.00					39.00

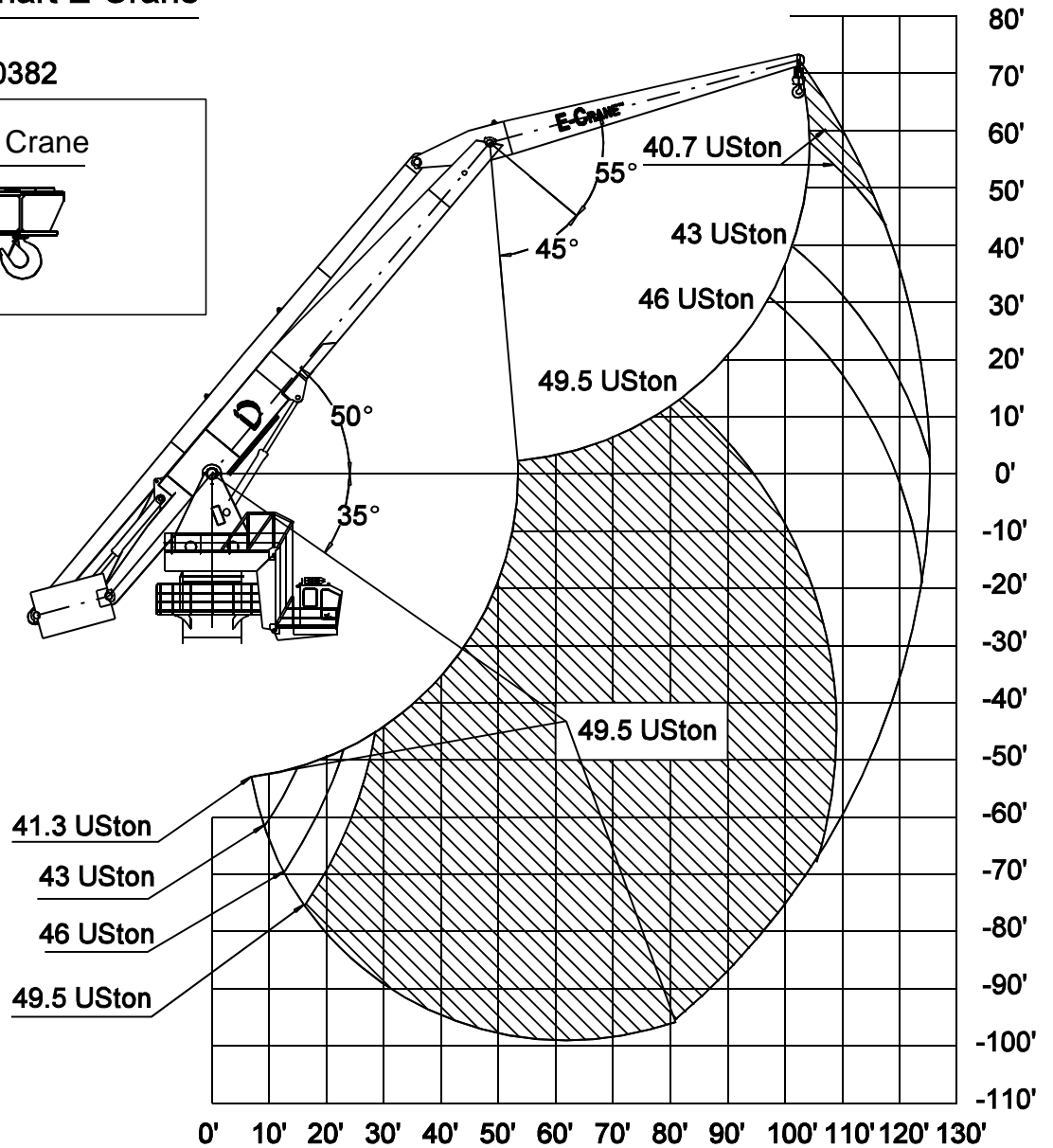
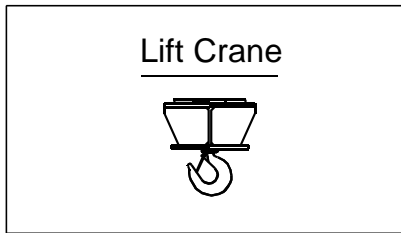


LIFT CRANE OPERATION

Load Chart (USton/ft)

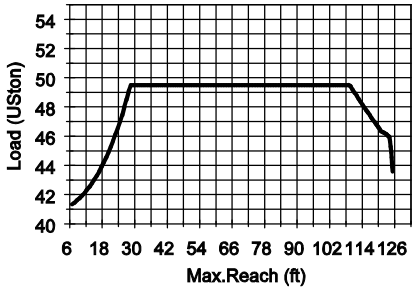
Capacity Chart E-Crane™

Model No. 30382



Docnr.:ALi2000-019

HEIGHT Relative to BOOM-PIN (ft)	CAPACITY (USton) / Lift Crane Operation E-Crane 30382																												
	REACH (ft)																												
	11	17	23	29	35	41	47	53	59	65	71	77	83	89	95	101	107	113	119	125									
66																	23.10												
60																	40.70												
54																	40.71	40.70											
48																	41.01	40.71											
42																	41.77	41.01											
36																	43.90	42.79	41.61	40.86									
30																	45.68	43.90	42.56	41.33									
24																	46.49	46.18	45.68	43.60	42.14								
18																	47.98	47.10	46.49	46.12	45.28	43.05							
12																	49.50	48.78	47.98	47.10	46.35	46.00	44.21						
6																	49.50	49.50	49.50	49.50	49.50	48.78	47.79	46.94	46.24	45.28	42.79		
0																	49.50	49.50	49.50	49.50	49.50	49.50	48.37	47.44	46.49	46.00	43.60		
-6																	49.50	49.50	49.50	49.50	49.50	49.50	49.21	47.98	46.94	46.18	44.21		
-12																	49.50	49.50	49.50	49.50	49.50	49.50	49.50	48.57	47.27	46.30			
-18																	49.50	49.50	49.50	49.50	49.50	49.50	49.50	49.50	48.99	47.79	46.49		
-24																	49.50	49.50	49.50	49.50	49.50	49.50	49.50	49.50	49.44	47.98	46.79		
-30																	49.50	49.50	49.50	49.50	49.50	49.50	49.50	49.50	49.50	49.50	48.37	46.79	
-36																	49.50	49.50	49.50	49.50	49.50	49.50	49.50	49.50	49.50	49.50	48.37	46.94	
-42																	49.50	49.50	49.50	49.50	49.50	49.50	49.50	49.50	49.50	49.50	48.57		
-48																	49.50	49.50	49.50	49.50	49.50	49.50	49.50	49.50	49.50	49.50	48.37		
-54																	42.34	44.21	47.48	49.50	49.50	49.50	49.50	49.50	49.50	49.50	49.50	48.17	
-60																	43.31	45.68	48.53	49.50	49.50	49.50	49.50	49.50	49.50	49.50	49.50	49.50	
-66																	44.55	47.00	49.50	49.50	49.50	49.50	49.50	49.50	49.50	49.50	49.50	49.50	
-72																	49.09	49.50	49.50	49.50	49.50	49.50	49.50	49.50	49.50	49.50	49.50	49.50	
-78																	49.50	49.50	49.50	49.50	49.50	49.50	49.50	49.50	49.50	49.50	49.50	49.50	
-84																	49.50	49.50	49.50	49.50	49.50	49.50	49.50	49.50	49.50	49.50	49.50	49.50	
-90																	49.50	49.50	49.50	49.50	49.50	49.50	49.50	49.50	49.50	49.50	49.50	49.50	
-96																	49.50	49.50	49.50	49.50	49.50	49.50	49.50	49.50	49.50	49.50	49.50	49.50	

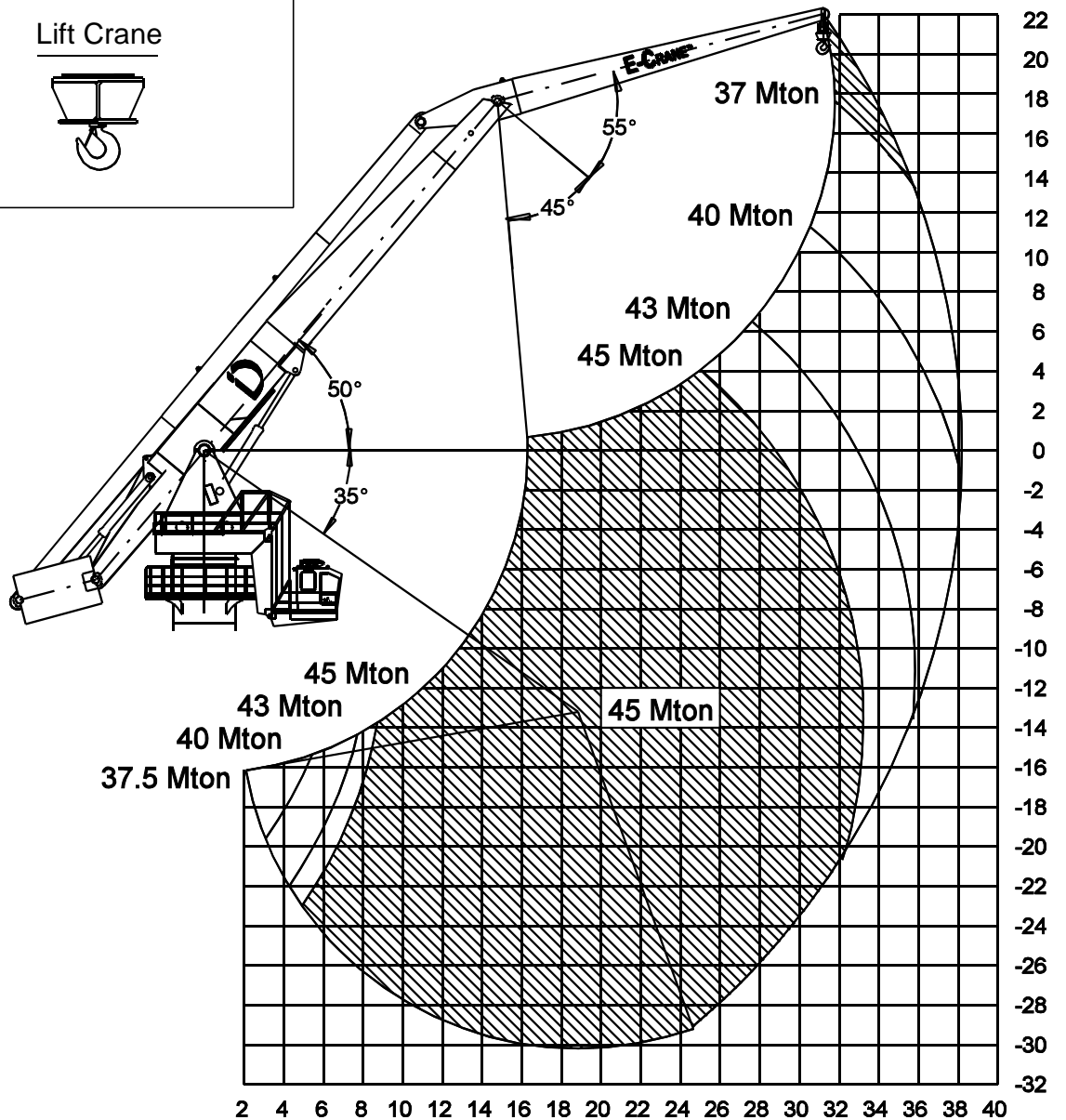
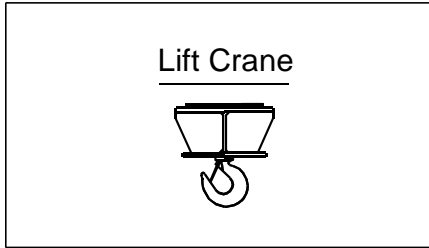


LIFT CRANE OPERATION

Load Chart (Mton/m)

Capacity Chart E-Crane™

Model No. 30382



Docnr.:ALI2000-015

HEIGHT Relative to BOOM- PIN (m)	CAPACITY (Mton) / Lift Crane Operation																																
	E-Crane 30382																																
	REACH (m)																																
	3.5	5	6.5	8	9.5	11	12.5	14	15.5	17	18.5	20	21.5	23	24.5	26	27.5	29	30.5	32	33.5	35	36.5	38									
20																					37.00												
18																					37.00	37.00											
16																					37.14	37.00											
14																					37.69	37.20	37.01										
12																					38.49	37.83	37.28										
10																					40.82	39.91	38.90	37.97	37.28								
8																					42.09	41.93	41.53	40.20	38.90	37.83							
6																					43.12	42.68	42.14	41.98	41.53	40.20	38.69						
4																					44.74	43.97	43.45	42.82	42.27	41.98	41.53	39.63					
2																					45.00	45.00	45.00	45.00	45.00	44.95	44.15	43.45	42.82	42.27	41.93	40.82	38.90
0																					45.00	45.00	45.00	45.00	45.00	45.00	44.95	44.15	43.45	42.68	42.09	41.76	39.63
-2																					45.00	45.00	45.00	45.00	45.00	45.00	45.00	44.95	43.97	43.12	42.40	41.93	40.50
-4																					45.00	45.00	45.00	45.00	45.00	45.00	45.00	45.00	44.54	43.62	42.82	42.09	
-6																					45.00	45.00	45.00	45.00	45.00	45.00	45.00	45.00	45.00	44.15	43.12	42.27	
-8																					45.00	45.00	45.00	45.00	45.00	45.00	45.00	45.00	45.00	44.54	43.45	42.40	
-10																					45.00	45.00	45.00	45.00	45.00	45.00	45.00	45.00	45.00	44.74	43.62	42.40	
-12																					45.00	45.00	45.00	45.00	45.00	45.00	45.00	45.00	45.00	44.95	43.62		
-14																					45.00	45.00	45.00	45.00	45.00	45.00	45.00	45.00	45.00	44.95	43.62		
-16	38.31	39.63	41.91	44.63	45.00	45.00	45.00	45.00	45.00	45.00	45.00	45.00	45.00	45.00	45.00	45.00	45.00	45.00	45.00	45.00	45.00	45.00	45.00	45.00	45.00	45.00	45.00	45.00	44.74				
-18	39.37	40.82	43.17	45.00	45.00	45.00	45.00	45.00	45.00	45.00	45.00	45.00	45.00	45.00	45.00	45.00	45.00	45.00	45.00	45.00	45.00	45.00	45.00	45.00	45.00	45.00	45.00	45.00	44.34				
-20	40.50	42.30	44.63	45.00	45.00	45.00	45.00	45.00	45.00	45.00	45.00	45.00	45.00	45.00	45.00	45.00	45.00	45.00	45.00	45.00	45.00	45.00	45.00	45.00	45.00	45.00	45.00	45.00					
-22		44.12	45.00	45.00	45.00	45.00	45.00	45.00	45.00	45.00	45.00	45.00	45.00	45.00	45.00	45.00	45.00	45.00	45.00	45.00	45.00	45.00	45.00	45.00	45.00	45.00	45.00						
-24			45.00	45.00	45.00	45.00	45.00	45.00	45.00	45.00	45.00	45.00	45.00	45.00	45.00	45.00	45.00	45.00	45.00	45.00	45.00	45.00	45.00	45.00	45.00	45.00	45.00						
-26				45.00	45.00	45.00	45.00	45.00	45.00	45.00	45.00	45.00	45.00	45.00	45.00	45.00	45.00	45.00	45.00	45.00	45.00	45.00	45.00	45.00	45.00	45.00							
-28					45.00	45.00	45.00	45.00	45.00	45.00	45.00	45.00	45.00	45.00	45.00	45.00	45.00	45.00	45.00	45.00	45.00	45.00	45.00	45.00									
-30						45.00	45.00	45.00	45.00	45.00	45.00	45.00	45.00	45.00	45.00	45.00	45.00	45.00	45.00	45.00	45.00	45.00											



SPECIFICATIONS

	Specifications English (**)	Specifications Metric (**)
Operating Range:		
Minimum Outreach Range (from centerline of rotation)	6'-10.5/8"	2,1 m
Maximum Outreach (from centerline of rotation)	125'-3.5/16"	38,200 m
Downreach Range (below main boom pivot point)	99'-11/16"	30,192 m
Lifting Range (vertical lift)	171'-3.9/16"	52,211 m
Boom Operating Angles (above and below horizontal)	+50°/-35°	+50°/-35°
Stick Operating Angles (before and after vertical)	+55°/-45°	+55°/-45°
Degrees of Rotation	360° continuous	360° continuous
Power:		
Power Supply	3-Phase 480 Volts AC, 60 Hz	3-Phase, 380 Volts AC, 50 Hz
Electrical Motor	800 hp	600 kW
Hydraulic Pump Output		
Implement	380 gpm	1.440 L/min
Swing	121 gpm	458 L/min
Hydraulic System Relief Setting	3,625 psi	25.000 kPa
Hydraulic Tank Refill Capacity	1056 USgal	4.000 L
Dimensions:		
Boom Length	75'-5.1/2"	23 m
Stick Length	55'-9.5/16"	17 m
Total Weight Superstructure^(*)	748,000 lbs	340.000 kg

(*) Operating weight does not include lubricants, hydraulic oil, bucket and operator

(**) Materials and specifications are subject to change without notice.
See your E-Crane™ dealer for available options.

Alle rechten voorbehouden. Niets uit deze uitgave mag worden verveelvoudigd, opgeslagen in een geautomatiseerd gegevensbestand, of openbaar gemaakt, in enige vorm of op enige wijze, hetzij elektronisch, mechanisch, door fotocopiëren, opnamen of enige andere manier, zonder voorafgaande schriftelijke toestemming van nv Indusign (België).

All rights reserved. No part of this publication may be reproduced, stored in a retrieval system, or transmitted, in any form or by any means, electronic, mechanical, photocopying, recording or otherwise without the written permission of nv Indusign (Belgium).

Alle Rechte vorbehalten. Nachdruck, Aufnahme in ein Retrieval-System, jedwede elektronische, mechanische, fotokopierte, oder andere Übertragung, auch auszugsweise, ist ohne ausdrücklicher, schriftlicher Genehmigung von nv Indusign (Belgien) verboten.

Ce manuel ne peut en aucune façon être copié, sans autorisation écrite du firme nv Indusign (Belgique).